

HCR L90s

HYDRAULIC CRAWLER DRILL

EU Stage V / EPA Tier 4 Final

To achieve more powerful and speedy drilling

Wide covering Extension boom

- ✓ High-power Drifter HD826
 - Highly-efficient percussion system
 - Dual damper system
- ✓ Hole diameter 76 mm-115 mm
- ✓ Safety ROPS/FOPS cabin
- ✓ Advanced rod changer
- ✓ Powerful track

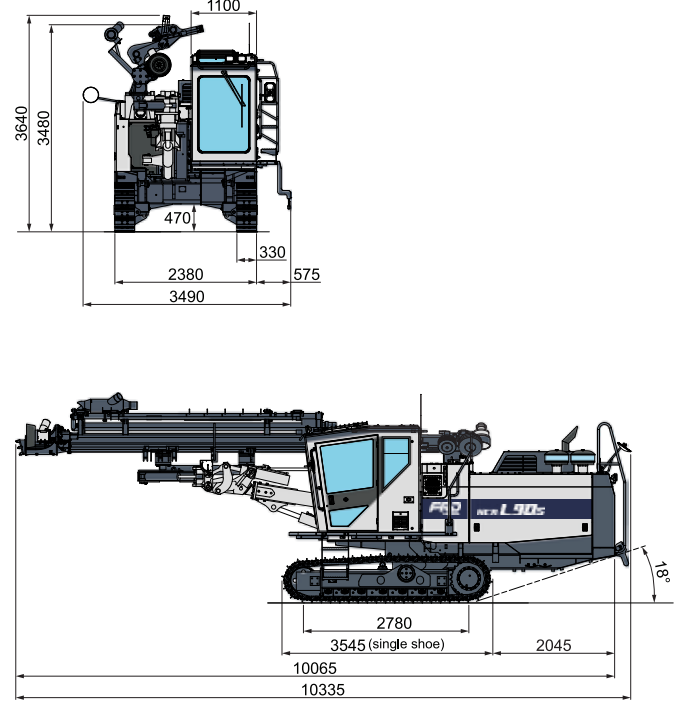


Specifications

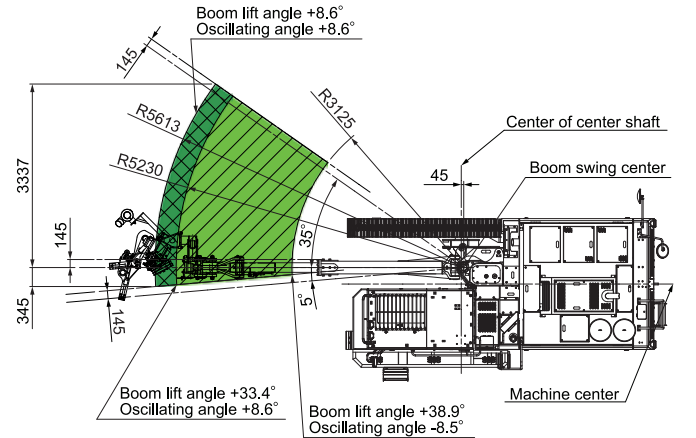
HCR L90 s	
Dimensions & Weight	
Operating Weight * ROPS/FOPS Cab	16,160 kg
Overall Length	10,335 mm
Overall Width (Shipping)	3,490 mm (2,445 mm)
Overall Height (Shipping)	3,640 mm (3,210 mm)
Drifter	
Model	HD826
Weight (with Reverse Percussion)	243 kg (282 kg)
Impact Rate	3,000 - 3,600 min ⁻¹
Rotating Speed	0 ~ 190 min ⁻¹
Undercarriage	
Track Length	3,545 mm (Single Shoe) / 3,490 mm (Triple Shoe)
Track Length on Ground	2,780 mm
Track Width	330 mm
Ground Pressure	86.3 kPa
Ground Clearance	470 mm (Single Shoe) / 440 mm (Triple Shoe)
Frame Oscillation Angle	± 8.5°
Tramming Speed	0 ~ 3.7 km/h
Gradeability	57.7 % (30°)
Maximum Traction Force	98.5 kN
Engine	
Model	B6.7 (Stage V, Tier4 Final)
Type	Diesel, Water-cooled, 6 Cylinders
Make	Cummins
Power Output	194 kW / 2,500 min ⁻¹
Fuel Capacity	425 L
DEF Capacity	56.8 L
Hydraulic Equipment	
Variable Displacement PV Pump	PV Pump x 2
Fixed Displacement Pump	Gear Pump x 3
Hydraulic Oil Reservoir Capacity	215 L
Boom	
Model	JE326
Type	Extension Boom
Boom Lift Angle	Up 45°, Down 20°
Boom Swing Angle	Right 35°, Left 5°
Boom Slide Length	1,200 mm
Guide Shell	
Model	GH832
Length	7,970 mm
12 Feet	4,590 mm
Feed Length (with Reverse Percussion)	(T45: 4,415 mm, T51: 4,590 mm)
Feed Type	Hydraulic Motor Driven Chain
Guide Slide Length	1,200 mm
Guide Swing Angle	Right 30°, Left 90°
Guide Tilt Angle	170°
Maximum Rod Pull-Out Force	29.5 kN
Compressor	
Model	PDS265-S37F
Type	1 Stage Screw Compressor
Free Air Delivery	10 m ³ /min
Discharge Pressure	1.03 MPa
Dust Collector	
Model	A885
Suction Capacity	40 m ³ /min
Number of Filter Element	6
Type of Dust Ejection	Automatic Air Pulse Jet
Rod Changer	
Model	GR802
Feet	12
Number of Rod Storage	6
Rod Length	3,660 mm
Bit and Rod	
Bit Range	76 ~ 115 mm
Rod Diameter	45R, 51R
Rod Length	3,660 mm (12 Feet)
Maximum Starter Rod Length	4,270 mm (14 Feet)
Electrics	
Battery	12V; 108 Ah / 5 h
Light	24V; 70 W x 4
Voltage	DC 24 V
Operating Environment	
Ambient Temperature Range	-15 °C ~ +45 °C
Maximum Altitude	Max. 2,500 m

Note: *1 "Operating Weight" includes weight of fuel and oils (full).

Dimensions (mm)



Drilling Coverage (mm)



İSTANBUL GENEL MÜDÜRLÜK

Cevizli Tugay Yolu No:8 Maltepe / İSTANBUL

T +90 (216) 305 05 57 | F +90 (216) 305 53 97 - +90 (216) 305 48 12

ANKARA FABRİKA

Ankara Caddesi No:222 Gaziosmanpaşa Mahallesi Gölbaşı / ANKARA

T +90 (312) 619 01 23 | F +90 (312) 484 45 78

info@gurisendustri.com | www.gurisendustri.com

ANKARA BÖLGE MÜDÜRLÜĞÜ

İvedik OSB. Havalandırmacılar Cd. No:137 Yenimahalle / ANKARA

T +90 (312) 354 65 97 | F +90 (312) 354 65 98

ADANA BÖLGE MÜDÜRLÜĞÜ

Gazipaşa Bulvarı Ünalı Apartmanı No:42/C Seyhan / ADANA

T +90 (322) 458 62 31 | F +90 (322) 454 65 88